

# Important Information

## GENERAL

**IMPORTANT-** Read carefully- Retain these instructions for future use.

Due to the size of this product we recommend that it is assembled

in the room intended for use.

When you are ready to begin installation, make sure that you have

the right tools, plenty of space, and a clean floor to prevent the

product from scratching.

Check the pack and make sure you have all of the parts listed.

Ensure that this item is fully assembled and secured as illustrated

before use.

Check that all screws and bolts are tightened and inspected regularly.

This product should only be used on a firm and level ground.

Please take apart this item if you want to transport it.

Tools are not included

Do not destroy any of the packaging until the item is fully assembled.

## WARNINGS

This product is intended for a maximum weight of 250 lbs per side. Do not exceed this weight. Keep small parts away from children as they may be choking hazards.

**.Make sure the legs remain in contact with the ground.**

**.Do not use power tools to construct this product.**

**.Do not tighten screws until fully assembled.**

**.Do not over tighten screws or bolts.**

**.Do not use this product if part are missing ,damaged or worn.**

**.Do not stand on the product,**

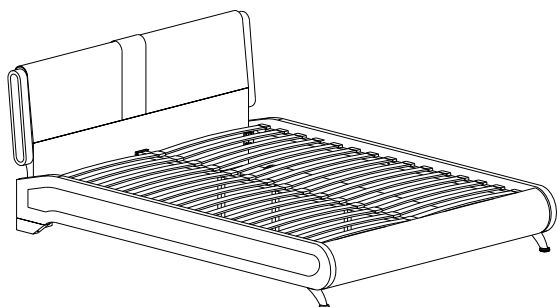
## CARE INSTRUCTIONS

Never use scourers, abrasives or chemical cleaners.

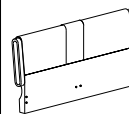


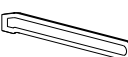


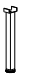






Clean with a sponge and warm soapy water. Do not use solvent based cleaners or detergents as they can bleach and/or damage the product.

For soft fabric beds, use a soft brush on a regular basis to remove grit and dust. Spot clean with a clean damp cloth with no cleaning agent.

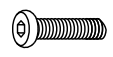
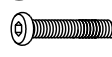



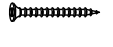
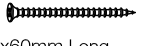
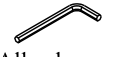
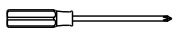
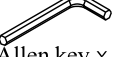
## CARLTON FULL&QUEEN BED ASSEMBLY INSTRUCTIONS



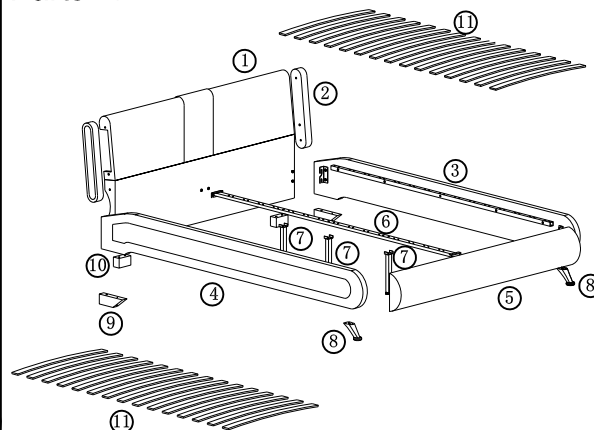
## Parts Identification

 1 Headboard X 1	 2 X 2	 3 Footboard X 1	 4 Left side rail X 1
 5 Right side rail X 1	 6 Centre support rail x 1	 7 Centre support leg X 3	 8 Lron feet X 2
 9 Wooden feet (bedside) X 2	 10 Wooden feet (bedside) X 2	 11 Bent slats (30*Queen)	 12 Plastic slat caps (30* Queen)
			 13 Centre slat caps (15 * Queen)

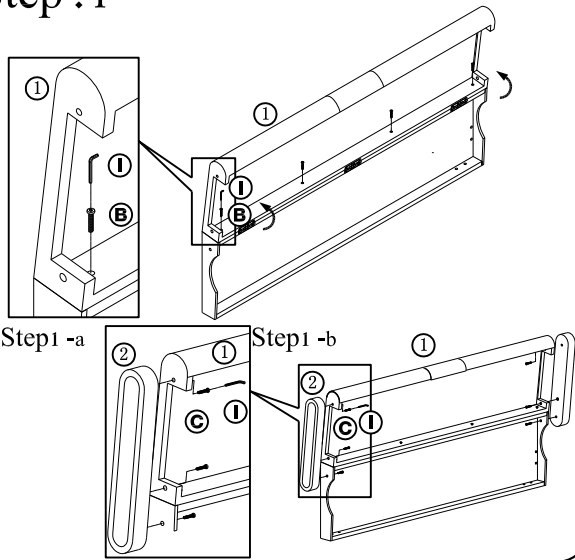
## Fittngs Identification

 25mm M8 Bolt x 2	 40mm M8 Bolt x 4	 60mm M8 Bolt x 12
 30mm M6 Bolt x 3	 washer-large x 10	 4x30mm Long countersink wood screw x 8
 4x60mm Long countersink wood screw x 2	 4mm Allen key x 1	 Screwdriver(not included)
	 5mm Allen key x 1	

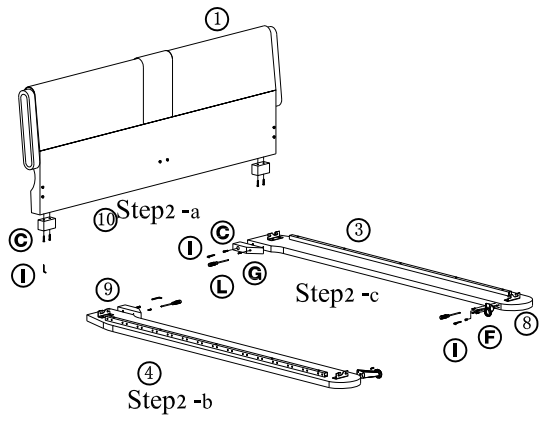
## Parts list



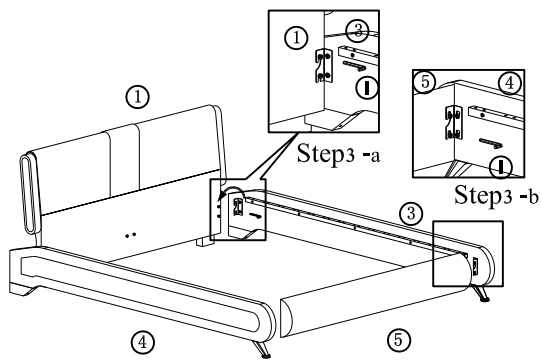
### Step : 1



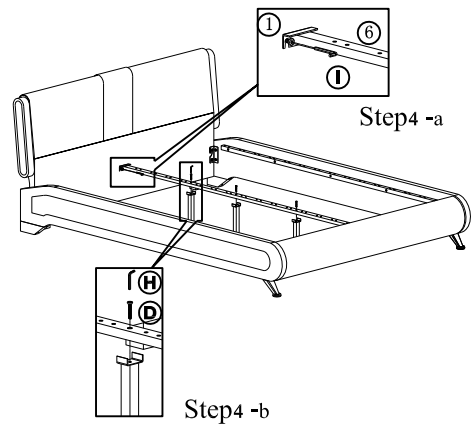
### Step : 2



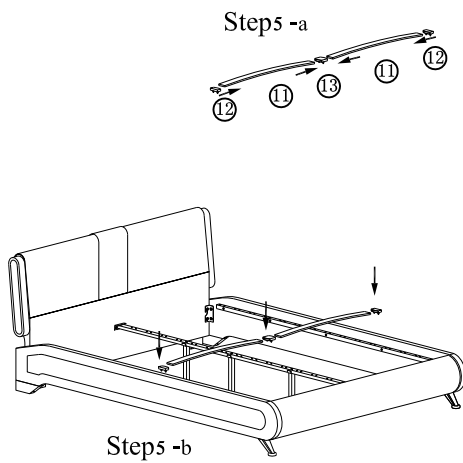
### Step 3 :



### Step : 4



### Step : 5



### Step : 6

